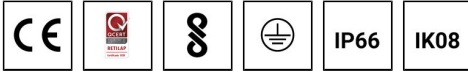


**LADOR 4 (LD-50031)**



**Product description**

Integral control gear - 145x145 mm - Class I



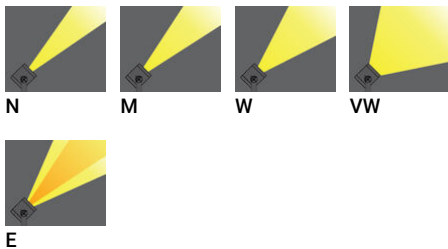
**Luminaire Structure**

- Die-cast aluminium housing
- Thermal heat dissipation body
- Pre-treated before powder coating ensuring high corrosion resistance
- Single cable entry

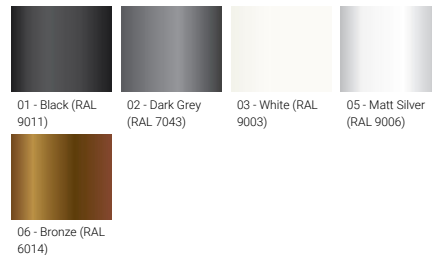
- One IP68 connector supplied with 0.2 m of 3x1.0 sqmm outdoor cable
- Stainless steel fasteners in grade 304 with zinc flake coating (ZFC)
- Durable silicone rubber gasket
- High-efficiency PMMA lens

- Clear toughened glass
- Integral control gear
- LADOR 1, 2, 3 and 4 are not available in European Union

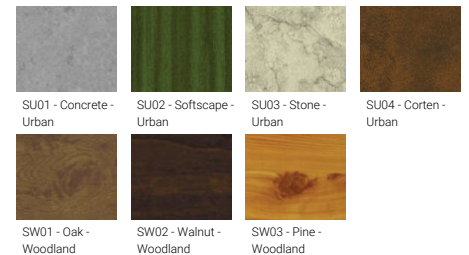
**Optic**



**Product colour**



**Special finishes upon request**

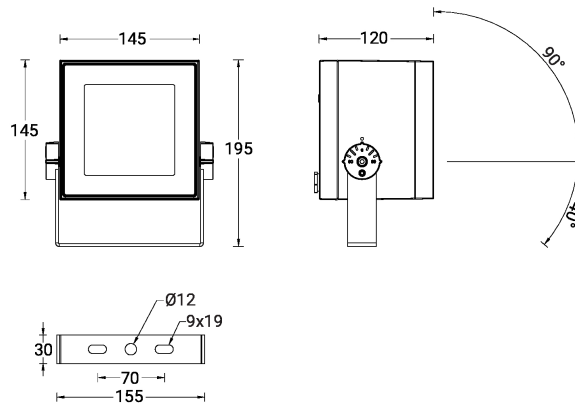


**LADOR 4 (LD-50031)**

**Technical information**

|                      |                             |                              |  |                                 |   |
|----------------------|-----------------------------|------------------------------|--|---------------------------------|---|
| <b>Material</b>      | Aluminium                   | <b>CCT / CRI</b>             | 3000K CRI80, 4000K CRI80, TW(AMBER - 3000K)  | <b>Cable</b>                    | One IP68 connector supplied with 0.2 m of 3x1.0 sqmm outdoor cable  |
| <b>Light source</b>  | 16 LED                      | <b>Bug</b>                   | B2-U0-G0, B3-U0-G0   | <b>Through wiring</b>           | Single cable entry  |
| <b>Power</b>         | 35 W                        | <b>ULR</b>                   | 0%   | <b>Lens / Reflector / Optic</b> | High-efficiency PMMA lens, Clear toughened glass  |
| <b>Lumen</b>         | 2219 - 4110 lm              | <b>ULOR</b>                  | 0%   | <b>MacAdam Ellipse</b>          | 3 SDCM  |
| <b>Efficacy</b>      | 63 - 117 lm/W               | <b>CIE flux code n°3</b>     | 100  | <b>Lifetime L90B10 (hours)</b>  | > 120,000   |
| <b>Driver option</b> | Integral control gear       | <b>Dimming type</b>          | On/Off, 1-10V, DALI  | <b>Lifetime L80B10 (hours)</b>  | > 120,000   |
| <b>Driver</b>        | Constant current (CC)       | <b>Product colours</b>       | Black, Dark Grey, White, Matt Silver, Bronze, Concrete - Urban, Softscape - Urban, Stone - Urban, Corten - Urban, Oak - Woodland, Walnut - Woodland, Pine - Woodland | <b>Lifetime L80B50 (hours)</b>  | > 120,000   |
| <b>Input voltage</b> | 220-240 V 50/60 Hz          |                              |  | <b>Variants (1-10V, DALI)</b>   | Compatible with EN/ IEC 60598-2-22: Suitable for emergency installations as central supply, non-maintained (Z0) |
| <b>Optic</b>         | N, M, W, VW, E              | <b>Weight</b>                | 3.0 kg   |                                 |   |
| <b>Optic value</b>   | 10°, 16°, 33°, 72°, 43°x11° | <b>Operating temperature</b> | -20 °C to 40 °C  |                                 |   |
|                      |                             | <b>EPA (m2)</b>              | 0.028  |                                 |   |

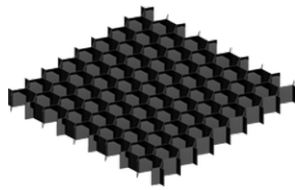
LD-50031



**Accessories**



Ground spike  
**A50441**



Honeycomb louvre  
**A52121**



Linear spread lens  
**A51414**



DALI Control System  
**Control-DALI**

**LADOR 4** (LD-50031)

Anti-glare visor

**A53131**

Please contact the factory for technical details if you wish to use Anti-glare accessories, Colour filters, Lenses and slip glasses in combination.