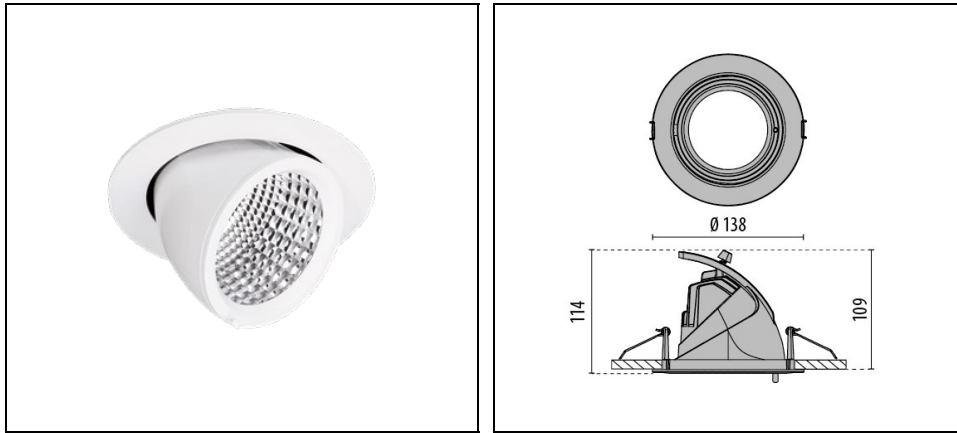


# EB433 LED SPOT REFLECTOR

Part number 8433154193314



## Description

Recessed LED luminaire for indoor, comprising:

- Die-cast aluminium spotlight body and ring, powder-coated
- Reflector can be swivelled horizontally inwards and outwards thanks to the unique swivel mechanism
- Adjustable about 60° (from -15° up to 45°, rotatable about 355°)
- High-brilliance spherical faceted reflector for maximum performance and neutral colour rendering index
- Reflector in Spot design
- Colour tolerance according to MacAdam  $\leq 3$  SDCM
- Quick and toolless installation
- Built-in driver
- Anchor springs
- Clear safety glass

To maintain the regular updating of our products, PERFORMANCE iN LIGHTING reserves the right to make changes without prior notice. For the most up to date information we always recommend you read the latest version published on the website [www.performanceinlighting.com](http://www.performanceinlighting.com). Delivered luminaire lumen outputs and power consumptions, including losses, are subject to a tolerance of +/- 7%, and unless otherwise stated the values apply to an ambient temperature of 25°C. Terms of warranty are available at <https://www.performanceinlighting.com/qr/company/led-warranty>

## Product data

ETIM Group:	EG000027	ETIM Class:	EC001744
-------------	----------	-------------	----------

## General information

Lampholder:	LED	Light source:	LED
Lightsource lumen output [lm]:	2580	Luminaire lumen output [lm]:	1960
Luminaire wattage [W]:	20 W	Luminous efficacy [lm/W]:	98
CRI:	80	Colour temperature [K]:	3000
Colour / Finishing:	WH-RAL9010 / White RAL9010 / Textured	IP degree of protection:	IP20
IK-J-xxIP:	IK02 0.2J xx0	Protection class:	II
Optic:	C/I - Circular Intensive	Beam angle:	2 x 8°
Net weight [kg]:	0.509	Overall diameter [mm]:	138
Overall height [mm]:	111	Cut-out diameter [mm]:	Ø 125

## Mechanical features

Shape:	Round ≤ 150 mm	Housing material:	Aluminium
Diffuser material:	Transparent glass	Glow wire test [°C]:	650 °C

## Electrical features

Voltage type:	AC	Input voltage [V AC]:	220/240
Input frequency [Hz]:	50/60	Power factor / COS Φ:	0.9
C10 1.5 mm <sup>2</sup> :	80	C16 2.5 mm <sup>2</sup> :	128
B10 1.5 mm <sup>2</sup> :	53	B16 2.5 mm <sup>2</sup> :	84
EEL:	A2		

## Installation

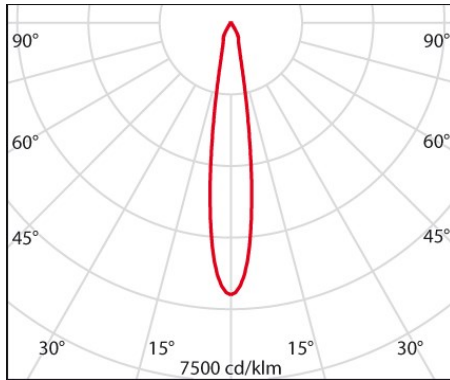
Application area:	Indoor	Mounting type:	Recessed spotlights
Min. ambient temperature [°C]:	10	Max. ambient temperature [°C]:	40
Min. distance from lighted object [m]:	0.10		

## Light features

MacAdam:	3	Lumen maintenance:	L80B10@60000h
Distribution of light emission:	Direct	DFF - Downward Flux Fraction [%]:	100
UFF - Upward Flux Fraction [%]:	0		

To maintain the regular updating of our products, PERFORMANCE iN LIGHTING reserves the right to make changes without prior notice. For the most up to date information we always recommend you read the latest version published on the website [www.performanceinlighting.com](http://www.performanceinlighting.com). Delivered luminaire lumen outputs and power consumptions, including losses, are subject to a tolerance of +/- 7%, and unless otherwise stated the values apply to an ambient temperature of 25°C. Terms of warranty are available at <https://www.performanceinlighting.com/qr/company/led-warranty>

## Photometric data



## Optional accessories

EB433 + EB434



**8433961**

Food glass filter for meat products



**8433962**

Food glass filter for bakery products



**8433963**

Food glass filters for fruits and cheese



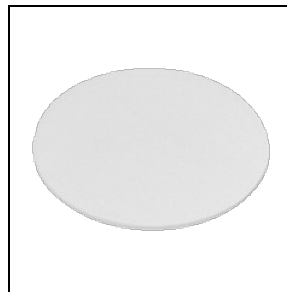
**8433964**

Food glass filter for vegetables



**8433965**

Food glass filter for fish products



**8414900**

Frosted safety glass pane

To maintain the regular updating of our products, PERFORMANCE in LIGHTING reserves the right to make changes without prior notice. For the most up to date information we always recommend you read the latest version published on the website [www.performanceinlighting.com](http://www.performanceinlighting.com). Delivered luminaire lumen outputs and power consumptions, including losses, are subject to a tolerance of +/- 7%, and unless otherwise stated the values apply to an ambient temperature of 25°C. Terms of warranty are available at <https://www.performanceinlighting.com/qr/company/led-warranty>