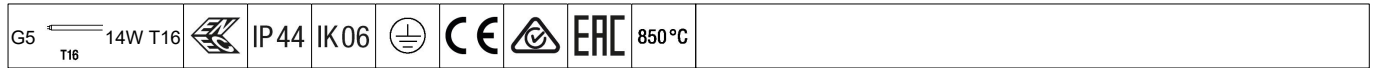


96203172 <CIMI 1X14W HF L830 WHI



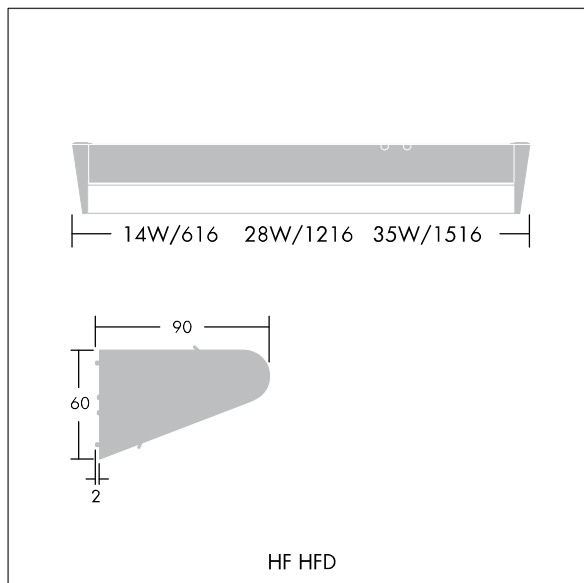
Slim and aesthetic bathroom luminaire developed to comply with today's contemporary demands on design and technology

Slim and aesthetic IP44 bathroom luminaire for 1 x 14W Light Source: 1 x T16 / 14W lamp with electronic - fixed output ballast, body in white finished extruded aluminium, endcaps in white finish die-cast aluminium and diffuser in opal polycarbonate. Two Ø19mm cable entries, offset in the back of housing, Ø12mm knock out holes in endcaps as well as top edge of luminaire for surface installation. Piano key terminal block 4 x 2 x 2.5mm². Complete with 830 lamp (s).

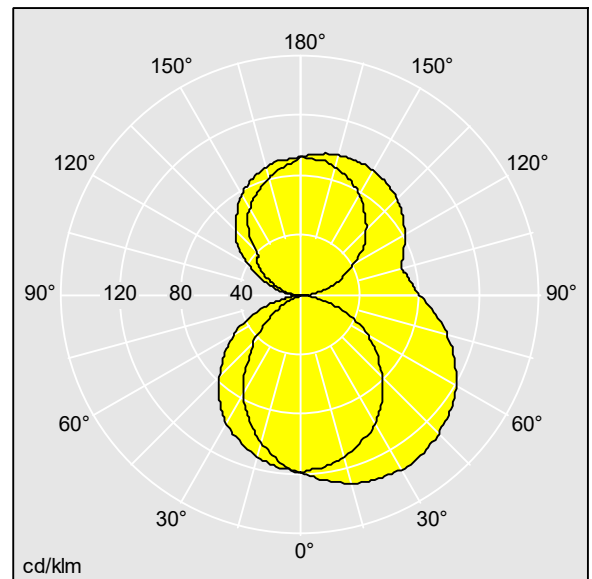
Dimensions: 616 x 60 x 90 mm
Luminaire input power: 16 W
Weight: 1.1 kg



TLG_CIMI_F_P1.jpg



TLG_CIMI_M_LD3.wmf



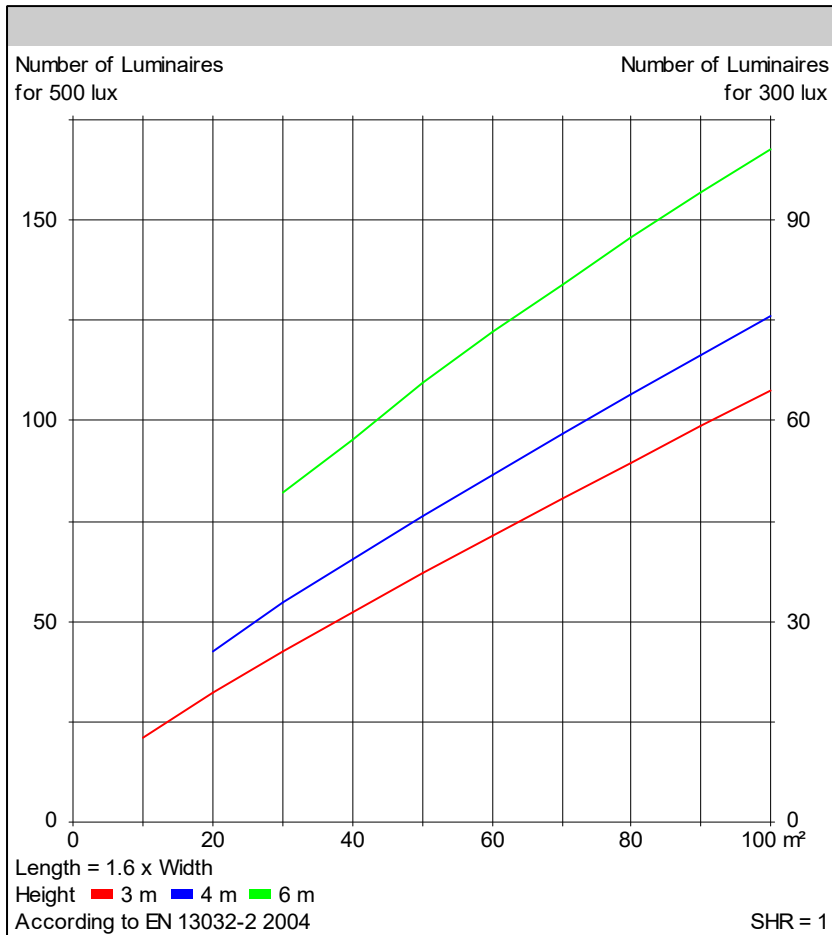
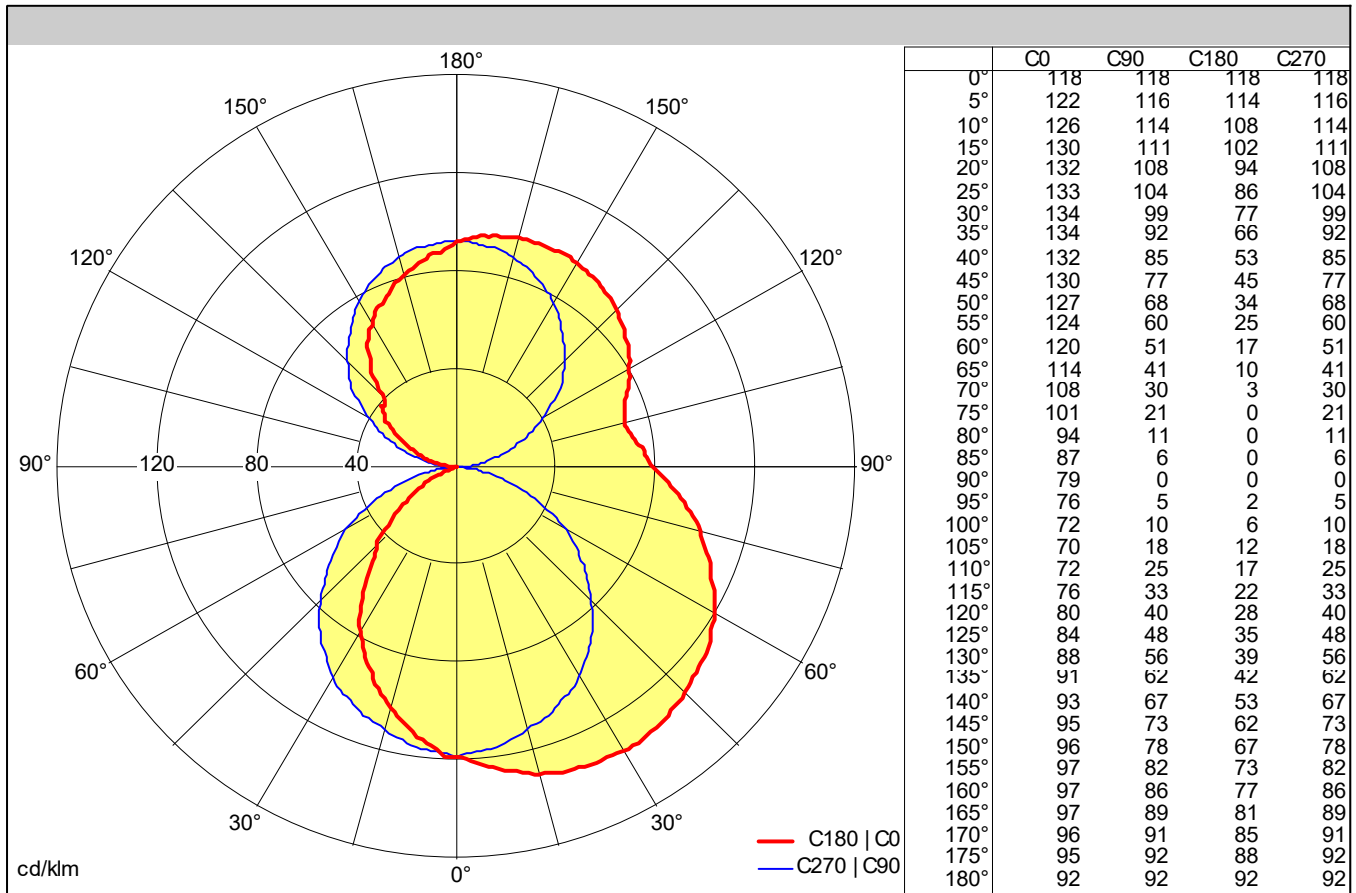
TLG_SW_96203172.ltd

Lamp position: STD - standard
Light Source: 1 x T16 / 14W
Luminaire luminous flux*: 848 lm
Lamp luminous flux: 1 x 1200 lm
Luminaire efficacy*: 53 lm/W
LOR: 0,71 ULOR: 0,31 DLOR: 0,40

Colour Rendering Index min.: 80
Ballast: 1 x 22185147 ECG TR PC 1x14-35 T5 PRO Ip
Luminaire input power*: 16 W Power factor = 0.98
CELMA EEI: A2
Maintenance category CIE 97: D - Enclosed IP2X

All values marked with an * are rated values. Unless stated otherwise, the values apply to an ambient temperature of 25°C.

96203172 <CIMI 1X14W HF L830 WHI



Light output ratio	
LOR	71 %
ULOR	31 %
DLOR	40 %
FFR	0.78 (44:56)
BLF	1.00

Glare Evaluation	
X = 4 H, Y = 8 H	S = 0.25 H
Reflection factors	70/50/20
UGR transversal	<25
UGR axial	<19

Classification	
LITG	C32
EN	
BZ	
UTE	0.40 G + 0.31 T
CIE Flux Codes	41 70 88 56 71

Photometric data file: TLG_SW_96203172.ltd