

# Katona

# THORN

96629367 KAT RD 2000-840 HF

LED	16W KATO_HO_84	CB			IP65		IK10				850 °C	T <sub>a</sub> -15 +35	
-----	----------------	----	--	--	------	--	------	--	--	--	--------	---------------------------	--

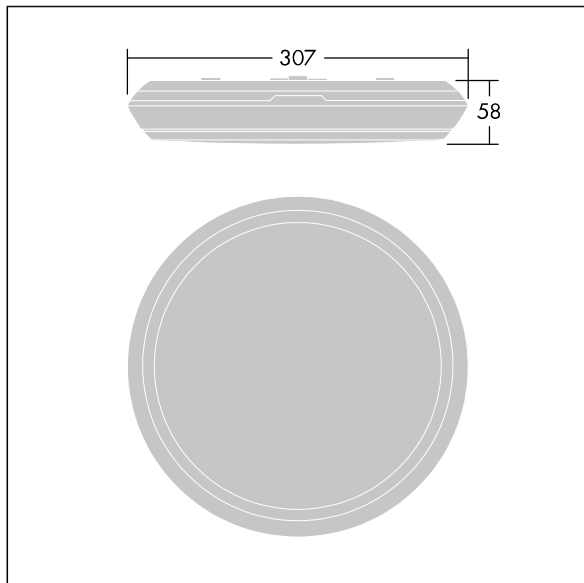
## Katona

A very slim, round functional LED luminaire. Fixed output LED driver. Body: polycarbonate. Diffuser: opal polycarbonate. Class II electrical, IP65, IK10. Complete with 4000K LED. Suitable for direct mounting to wall or ceiling. Loop-in, loop-out is possible for cables up to 2.5mm<sup>2</sup>. BESA compatible.

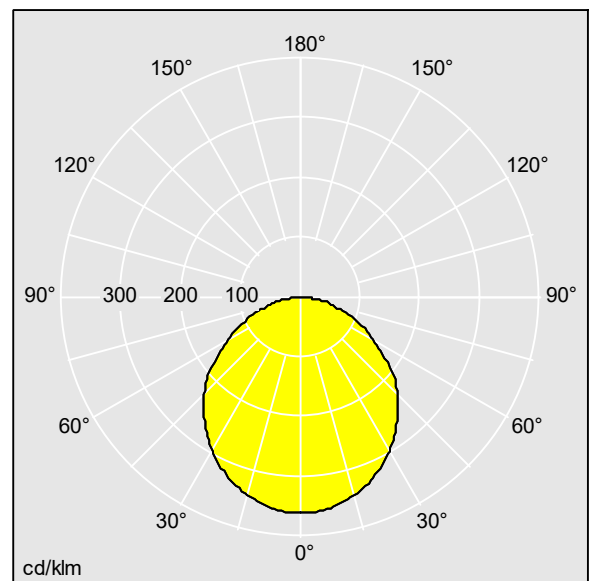
Dimensions: Ø307 x 58 mm  
Luminaire input power: 16.3 W  
Luminaire luminous flux: 1950 lm  
Luminaire efficacy: 120 lm/W  
Weight: 0.98 kg



TLG\_KATO\_F\_RD\_PDB.jpg



TLG\_KATO\_M\_RD\_LDS.wmf



TLG\_SP\_0043600.ltd

Lamp position: STD - standard  
Light Source: LED  
Luminaire luminous flux\*: 1950 lm  
Luminaire efficacy\*: 120 lm/W  
Colour Rendering Index min.: 80  
Ballast: 1 x 87501083 LC 25/450-600/42 flexC SC  
SNC4  
LOR: 1,00 ULOR: 0,03 DLOR: 0,97

Correlated colour temperature\*: 4000 Kelvin  
Chromaticity tolerance (initial MacAdam): 3  
Rated median useful life\*:  
L80 50000 h at 35 °C  
Luminaire input power\*: 16.3 W Power factor = 0.91  
Dimming: FIX  
Maintenance category CIE 97: E - Dust-proof IP5X

This product contains a light source of energy efficiency class C.

All values marked with an \* are rated values. Thorn uses tried and tested components from leading suppliers, however there may be isolated instances of technology-related failures of individual LEDs during the rated product lifetime. International standards set the tolerance in initial flux and connected load at ±10%. Unless stated otherwise, the values apply to an ambient temperature of 25°C. Risk group

Thorn Lighting is constantly developing and improving its products. The right is reserved to change specifications without prior notification or public announcement.  
© Thorn Lighting