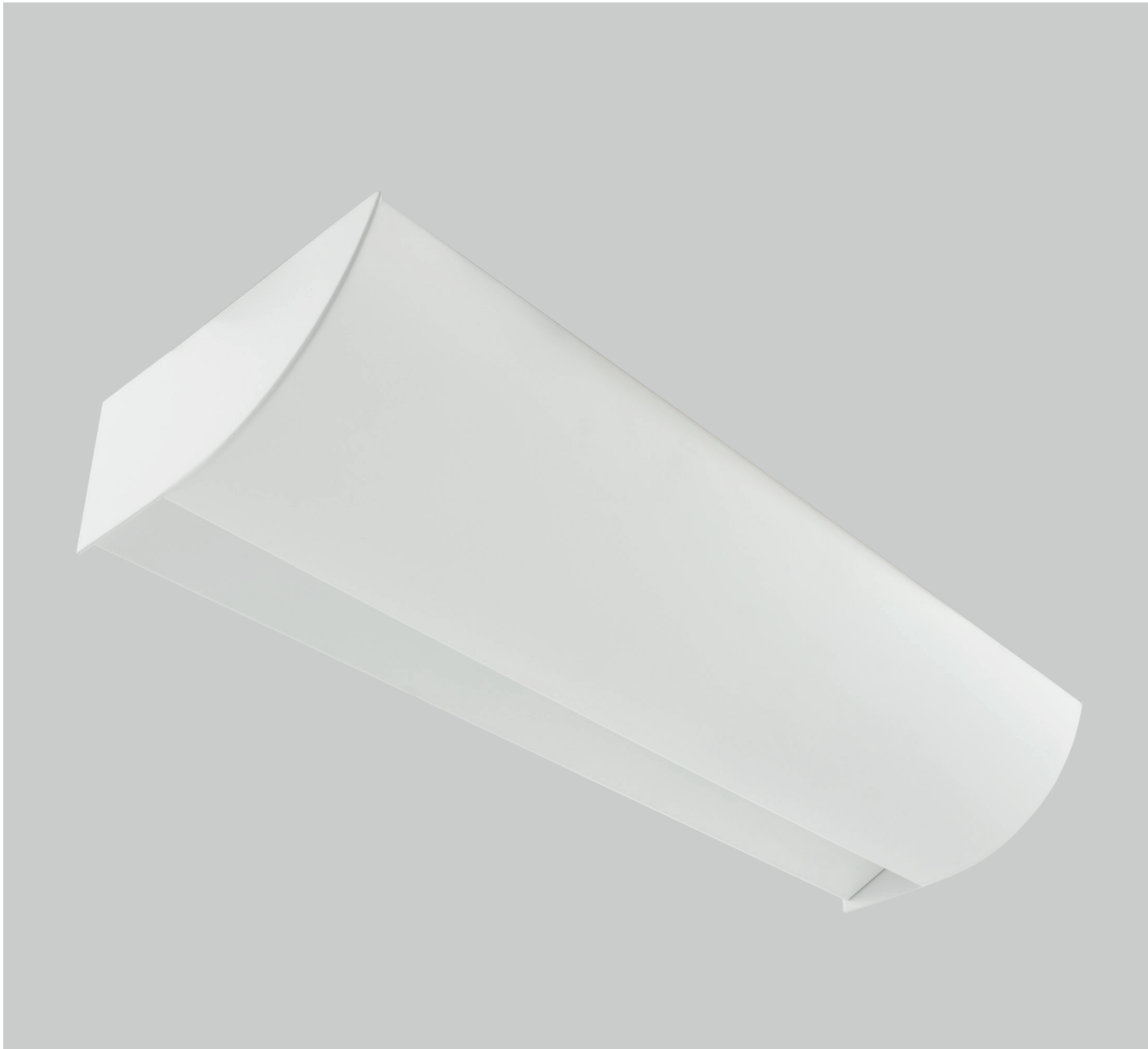


WALL T3



Linear wall mounted direct/indirect luminaire. Top quality SMD LED module with colour consistency MacAdams ≤ 3 , extensive portfolio of lumen ranges, CCTs and spectra. Variety of drivers: standard EVG on/off, DALI and wireless controlled as MasterConnect or Casambi on request. Built-in or remote, wireless occupancy & daylight sensor available to allow significant energy savings and wireless connectivity. Mounting on any type of ceiling or wall. Body is made of aluminium and steel. Standard colour RAL 9003S, any other colour from basic RAL range available at no extra cost. Variety of lumen outputs and drivers allows to use this luminaire in different types of lighting projects.

Luminous flux & Luminaire Power tolerance up to 10%. System power consumption depends on components used. Luminous efficacy depends on type of LED's, electronics, optics and diffuser. The most up to date technical parameters can be found on our website and in database of LDT files.

Lighting direction



PDF datasheet:



WALL T3

Mounting:	Wall mounting
Body material:	Steel and aluminium
Colour:	Standard black RAL 9005S, other RAL colours on request
Lumen output:	Standard up to 4400lm, any other on request
LED module:	Signify (Philips), Tridonic or equivalent SMD LED modules
Colour temperature:	2700/3000/4000K, other on request
Colour Rendering:	CRI>80 in standard, other on request
Driver:	EVG on-off, DALI, MC (MasterConnect), other on request
Wireless control:	MasterConnect / Casambi
Daylight/Occupancy sensor:	Built-in XC sensor / Wireless MC sensor
Emergency unit:	N/A
Operating temperature range:	0°C ... +35°C
IP Class:	IP20 in standard
Power:	220-240V 50/60Hz
Lighting direction:	Direct/indirect
Light distribution:	Symmetric/asymmetric
Optics:	N/A
Beam angle:	All types available in our LDT file database
Diffuser	OP white acrylic
Warranty:	5 Years standard warranty

WALL T3 wall mounted / light up and down

All current index numbers, lumen outputs, power consumption and many other technical information are available in our 2024 pricelist. Details on wireless lighting control systems on page number 896.



XC daylight&occ sensor



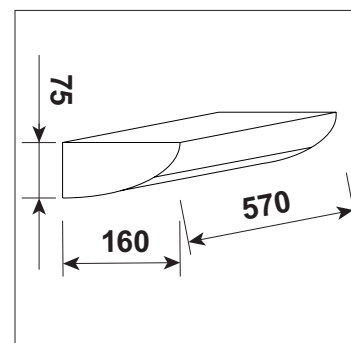
Energy saving MasterConnect wireless lighting control system with daylight and movement detection technology on request.



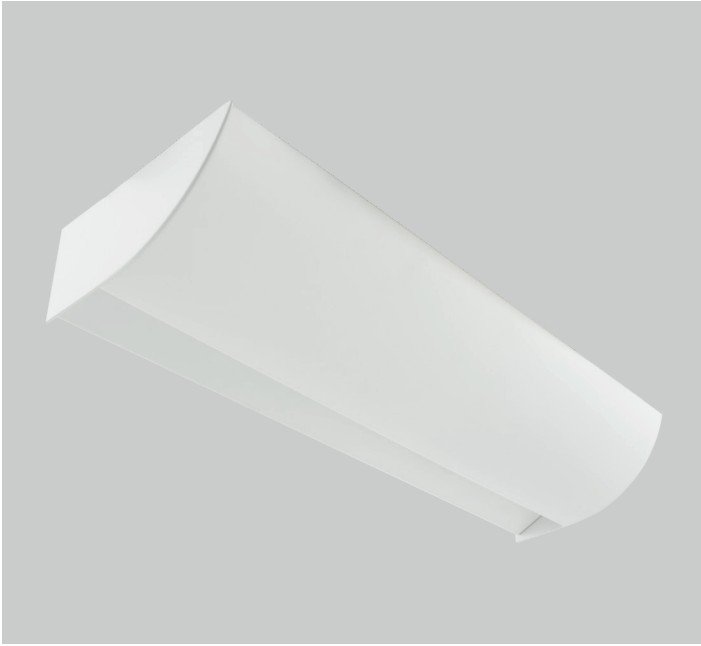
MCS wireless daylight&occ sensor



XCS wireless switch



Basic dimensions



WALL T3

Product code	Product name	Gross Lumen [lm]	Nett Lumen [lm]	Power [W]	Efficacy [lm/W]	Colour temperature [K]	Optics	Length [mm]	Width [mm]	Height [mm]	Nett Weight [kg]
60.00095.83.E.OP	WALL T3 LED / 4400lm / 830 / E / OP	4400	3520	29	121	3000	Symmetrical	570	160	75	2,2
60.00095.84.E.OP	WALL T3 LED / 4400lm / 840 / E / OP	4400	3520	29	121	4000	Symmetrical	570	160	75	2,2