



**PROJECT** \_\_\_\_\_

**TYPE** \_\_\_\_\_

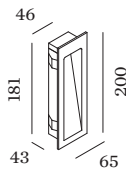
**NOTES** \_\_\_\_\_

**QUANTITY** \_\_\_\_\_

**DATE** \_\_\_\_\_



Rectangular wall recessed luminaire made from aluminium; surface Black Matt; powder coated; matt texture; RAL 9005; recessed depth 43 mm; suitable for ceiling thickness of min. 12 mm; PCB 3-step binning; light colour 3000 K; binning initial MacAdam ≤ 3 SDCM; CRI ≥ 90; degree of protection IP65; Class 3; driver not included; light source not replaceable;



**GENERAL**

Wall \_\_\_\_\_  
 Recessed \_\_\_\_\_  
 Black Matt \_\_\_\_\_  
 RAL 9005 <sup>a</sup> \_\_\_\_\_  
 IP65 \_\_\_\_\_  
 Exterior \_\_\_\_\_  
 CIE flux code: 52 75 88 75 100 \_\_\_\_\_

**MEASURED DRIVERS**

350mA \_\_\_\_\_  
 30 lm \_\_\_\_\_  
 2.7 W \_\_\_\_\_

700mA \_\_\_\_\_  
 50 lm \_\_\_\_\_  
 5.7 W \_\_\_\_\_

**LED**

3000 K \_\_\_\_\_  
 CRI ≥ 90 \_\_\_\_\_  
 L70 / 60000h \_\_\_\_\_  
 initial MacAdam ≤ 3 SDCM \_\_\_\_\_

**OPTICAL**

Asymetric \_\_\_\_\_

**ELECTRICAL**

excl. driver \_\_\_\_\_  
 6 V \_\_\_\_\_  
 inset 4.3 2.0 W \_\_\_\_\_  
 Class 3 \_\_\_\_\_

**PHYSICAL**

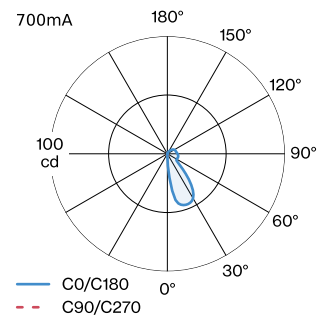
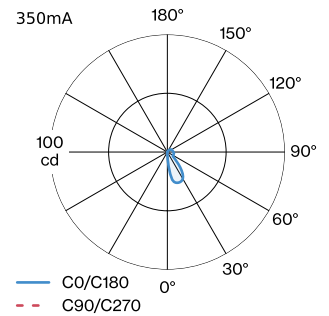
length 65 mm \_\_\_\_\_  
 width 33 mm \_\_\_\_\_  
 height 200 mm \_\_\_\_\_  
 0.28 kg \_\_\_\_\_

**CUTOUT**

length 47 mm \_\_\_\_\_  
 width 182 mm \_\_\_\_\_  
 min. ceiling thickness 12 mm \_\_\_\_\_  
 recessed depth 43 mm \_\_\_\_\_

<sup>a</sup> Colour may deviate slightly due to production conditions.

**LIGHT DISTRIBUTION**



[7091A1B5] The technical data represent rated values for an ambient temperature of 25°C. The data values for the luminous flux are initially subject to a tolerance of +/- 10%, those for the electrical connected load are initially subject to a tolerance of +/- 10%, and those for the colour temperature are initially subject to a tolerance of +/- 150 K. No liability is assumed for typographical or printing errors. The general terms and conditions of Wever & Ducré BV apply.



**Maintenance Factor**

Operating Time [h]	10.000	20.000	30.000	40.000	50.000
LLMF	0.96	0.94	0.91	0.89	0.87
LSF	1	1	1	1	1

MF	$LMF \times RSMF \times LLMF \times LSF$	RSMF <sup>a</sup>	Room Surface Maintenance Factor
MF	Maintenance Factor	LLMF	Lamp Lumens Maintenance Factor
LMF <sup>a</sup>	Luminaire Maintenance Factor	LSF	Lamp Survival Factor

<sup>a</sup>According to "CIE 97, Maintenance of indoor electric lighting systems", 2005, ISBN 3-900-734-34-8. The values must be determined by the planner.

**MOUNTING ACCESSORIES**

**Concrete Housing**

Type	L·W·H (MM)	Item number
ORIS 0.7   RETO 2.0	57-55-190	90012044

**Recessed Housing incl. plasterkit**

Type	L·W·H (MM)	Item number
ORIS 0.7   RETO 2.0	100-67-250	90012039

**ELECTRICAL ACCESSORIES**

**Driver**

Type	Voltage	L·W·H (MM)	Item number
3W   350 mA   3-15V   IP66	3-15V	52-30-23	90213101
7W   500mA   5-14.5V   IP67	5-14.5V	57-41-24	90214301
7W   700mA   3-10.5V   IP67	3-10,5V	57-41-24	90215301