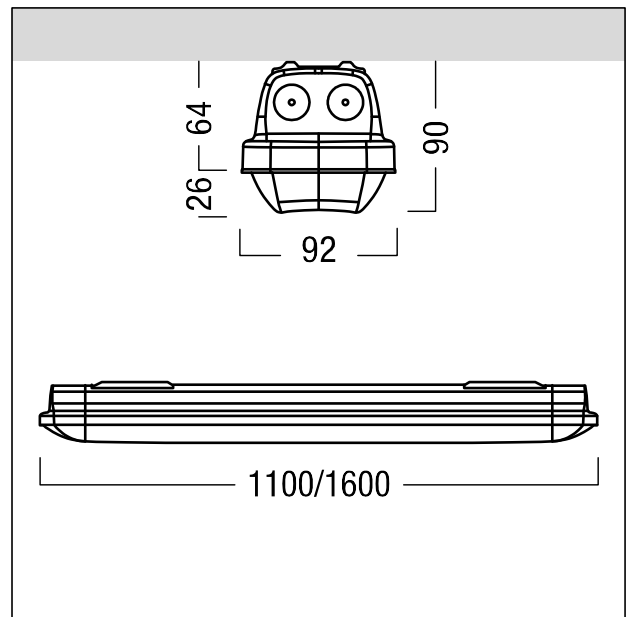


Moisture-proof diffuser luminaire

LED Moisture-proof diffuser luminaire with IP66 protection rating and drip-edge effect for minimising dirt and collection of dust for maximum hygienic requirements. Luminaire input power: 33.1 W, Luminaire with motion sensor for switching on/off with LED converter; patented InvisiClick for clipless mounting and opening of the cover. Cover and basic diffuser made of impact-resistant polycarbonate, temperature- and UV-resistant, made as a single injection-moulded piece. LED service life lasts 100000 h before luminous flux is reduced to 90% of the initial value. Chromaticity tolerance (initial MacAdam): 3. Luminaire luminous flux: 4690 lm, Luminaire efficacy: 142 lm/W. Colour rendering Ra > 80, colour temperature 4000 K. Luminaire with symmetric wide light distribution (wide beam). Mounting via V2A standard spring clips to ceilings, walls or trunking. 5-pole connector terminal. Suitable for through-wiring with H05VV or NYM cable (10A). ambient temperature: -25°C to +33°C. Approved for indoor use with vertical or horizontal wall mounting (see installation instructions). Note: please contact your consultant if you are planning to use the luminaire in environments with chemical pollutants, high or condensing humidity and major variations in temperature. Complies with International Food Standard specifications. Designed for BESA box. Permissible for use in environments where the deposition of conductive dust on the luminaire can be expected (EN 60598-2-24). Protection class: SC1, 850 °C glow-wire tested. Luminaire wired with halogen-free leads, silicone-free, Impact strength: IK08, Dimensions: 1100 x 92 x 90 mm; weight: 3.11 kg.



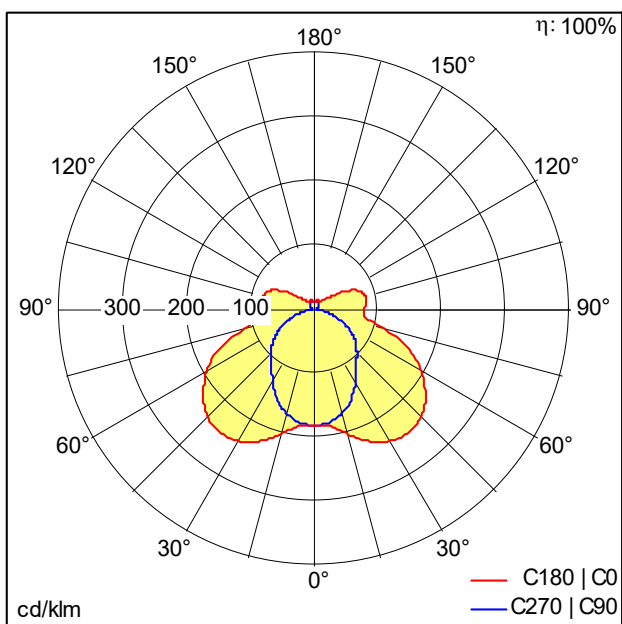
ZS\_AMP\_F\_AMPHIBIA\_WB.jpg



ZS\_AMP\_M\_Amphibia.wmf

Light Distribution

STD - standard



D45887\_AMP\_S\_4600-840\_PC\_WB\_EVG.Idt

- Light Source: LED
- Luminaire luminous flux\*: 4690 lm
- Luminaire efficacy\*: 142 lm/W
- Colour Rendering Index min.: 80
- Ballast: 1 x 28000680 LC 50W 100-400mA flexC Ip EXC
- Correlated colour temperature\*: 4000 Kelvin
- Chromaticity tolerance (initial MacAdam): 3
- Rated median useful life\*:  
L90 100000 h at 33 °C  
L95 100000 h at 25 °C
- Luminaire input power\*: 33.1 W Power factor = 0.89
- Standby Power\*: 0.2 W
- Dimming: MWS
- Maintenance category CIE 97: E - Dust-proof IP5X
- Total harmonic distortion (THD): 18.90 %

This product contains a light source of energy efficiency class C.

Please also consult the additional information on the next page





Moisture-proof diffuser luminaire